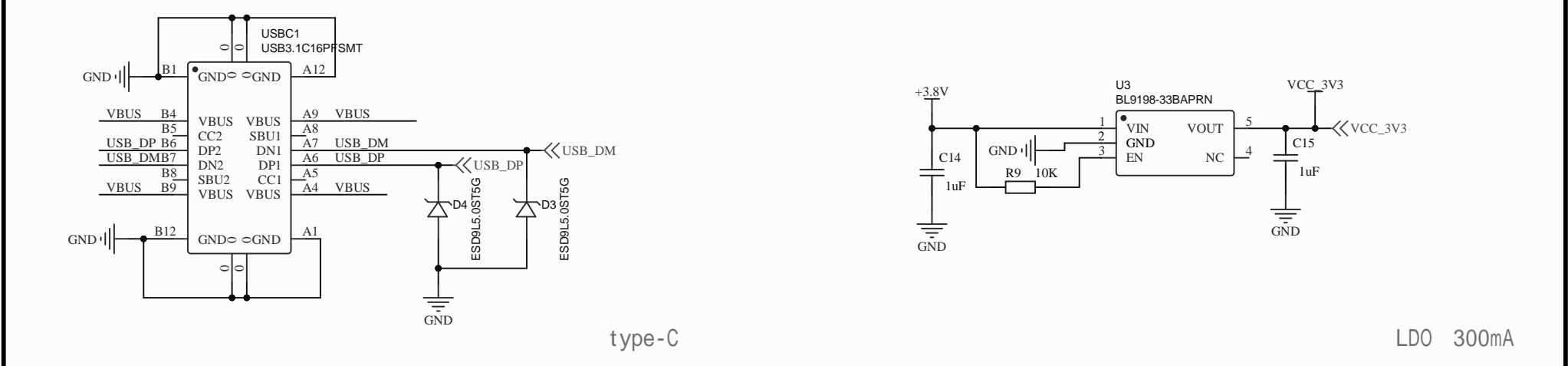
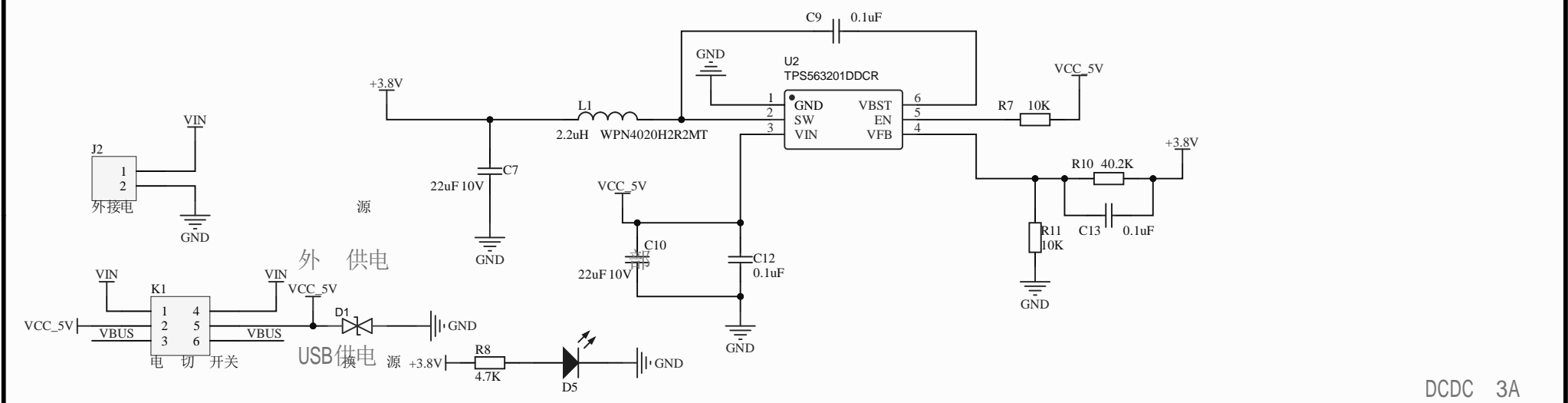
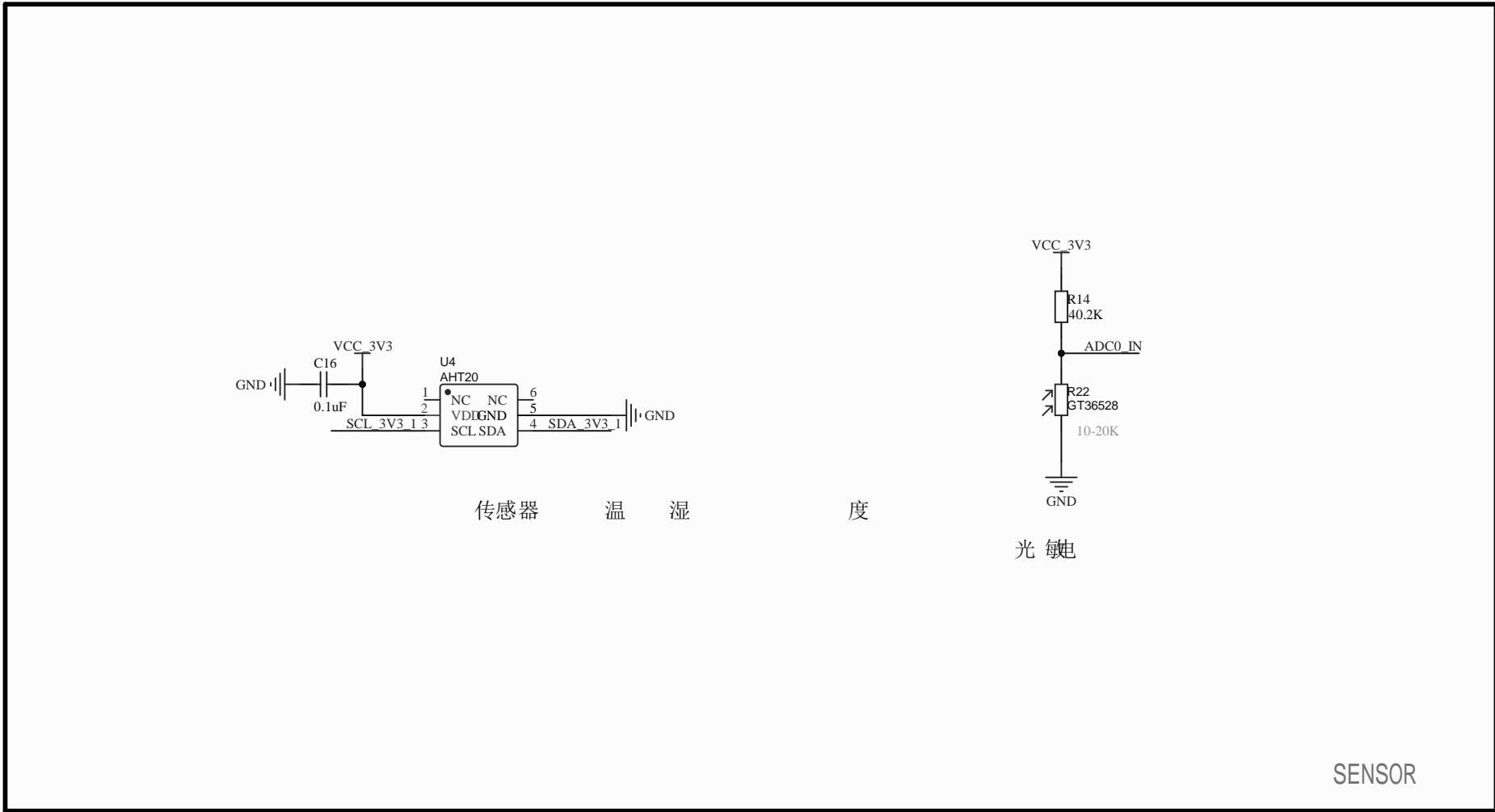


Title EC600X		
Size A2	Number	Revision
Date 3-31-2023	Sheet of	Drawn By:
File G:\1_1_1_EC600X_SchDoc	Sheet of	Drawn By:



Title		
Size	Number	Revision
A4		
Date:	3-31-2023	Sheet of
File:	G:\目\2.POWER.SchDoc	Drawn By:

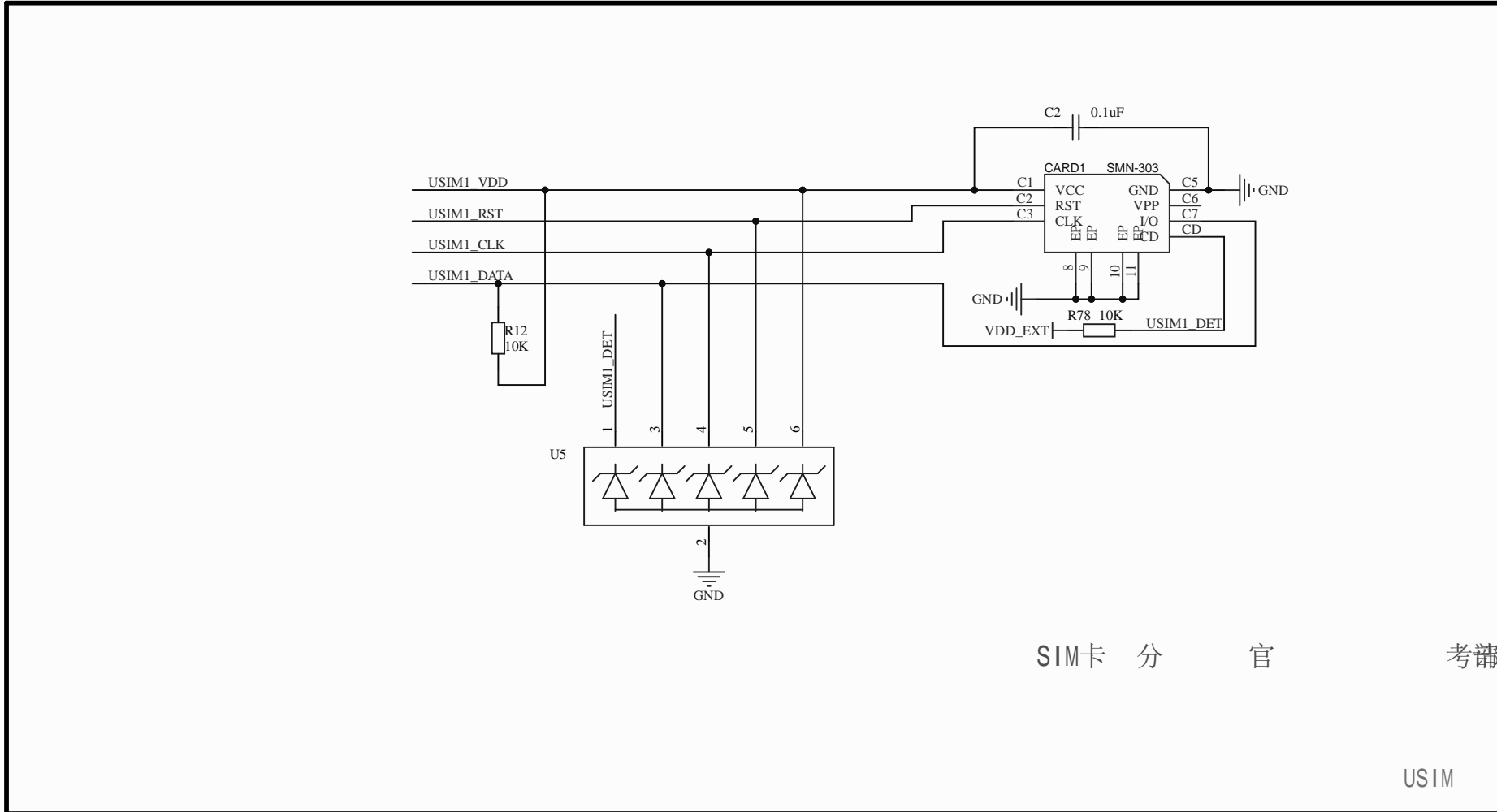


传感器 温 湿 度

光 敏

SENSOR

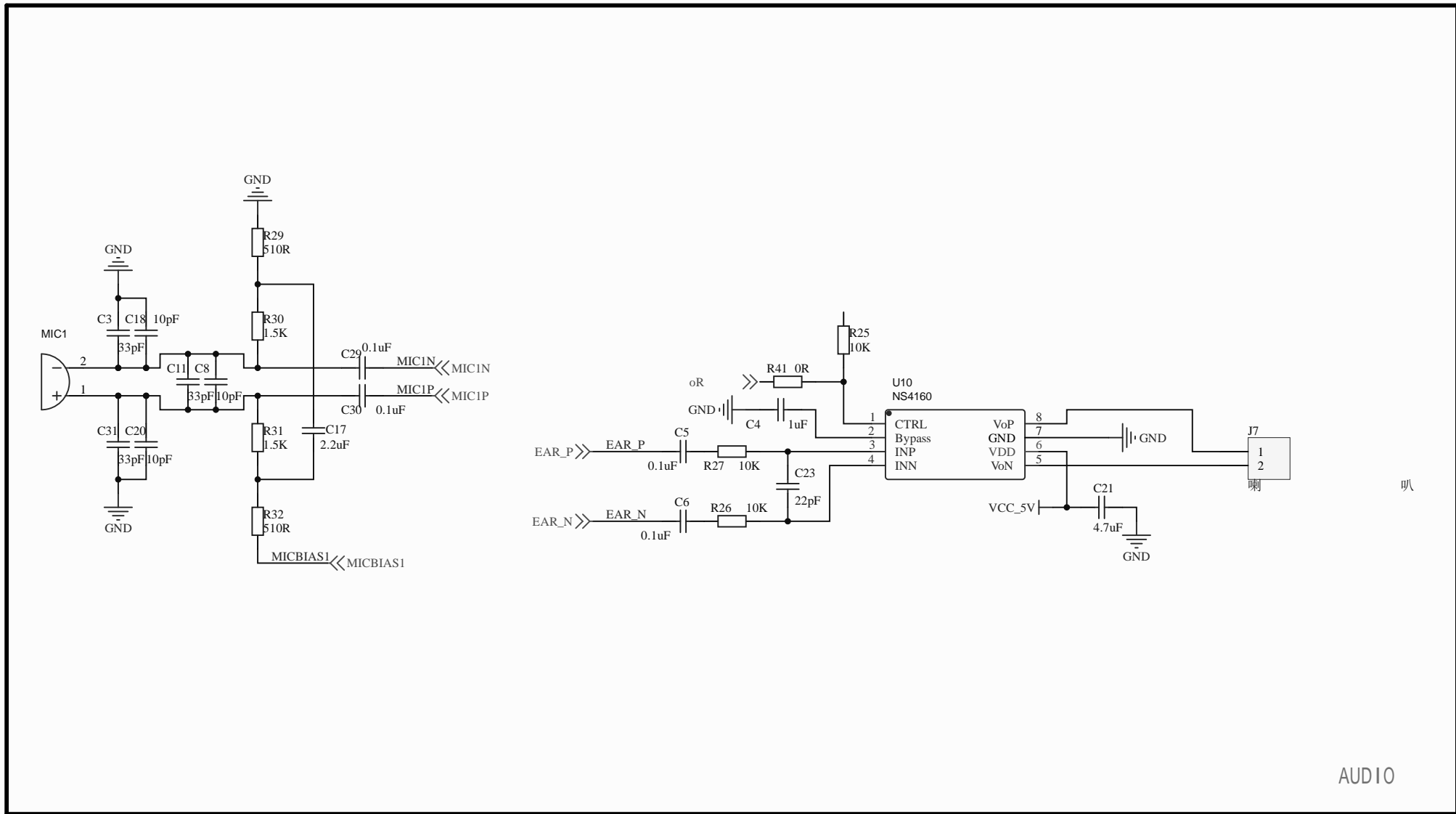
Title		
Size	Number	Revision
A4		
Date:	3-31-2023	Sheet of
File:	G:\ 目 \. \3.SENSOR+EEPROM.SchDoc Drawn By:	



SIM卡 分 官 考 滿

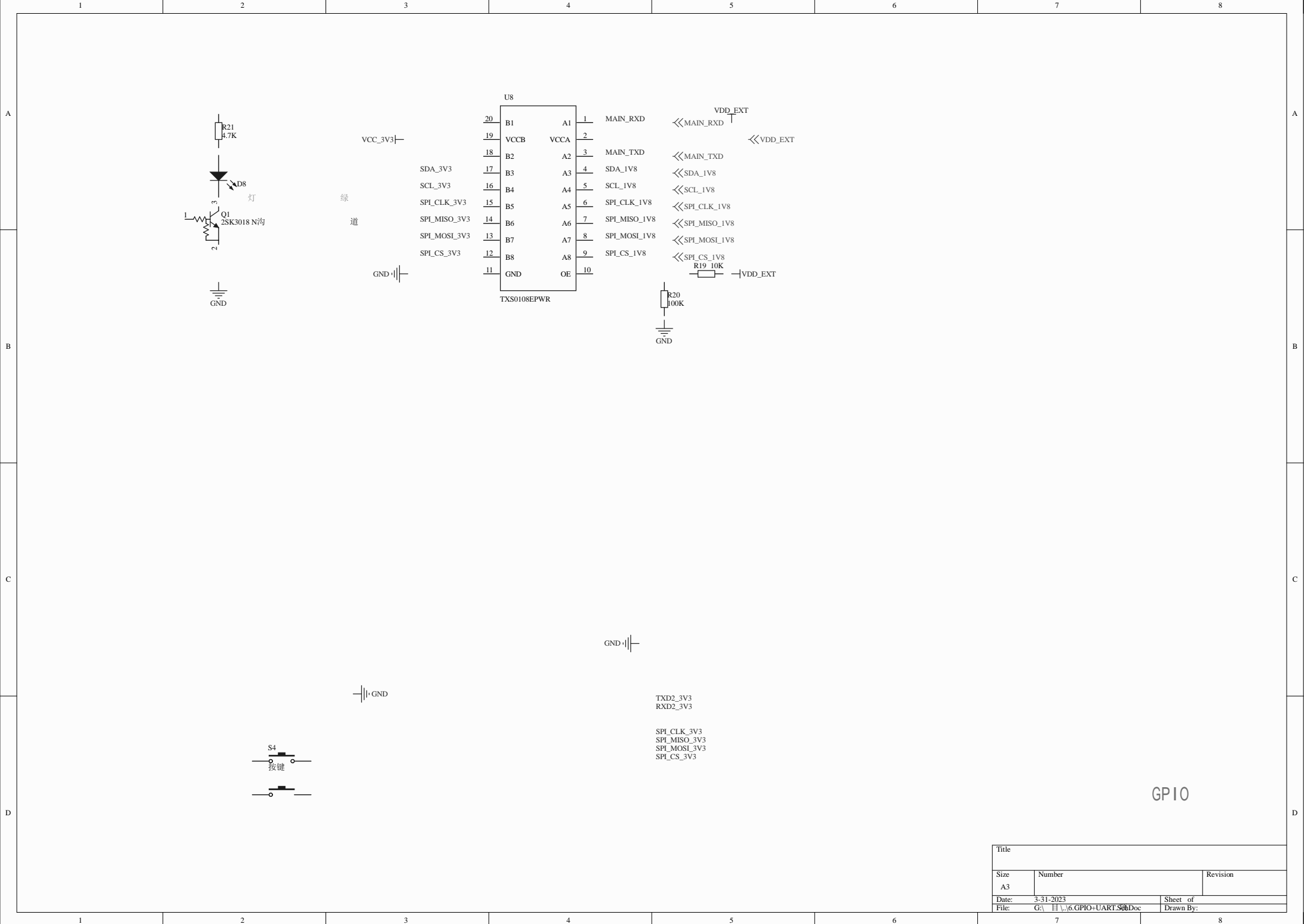
USIM

Title		
Size A4	Number	Revision
Date:	3-31-2023	Sheet of
File:	G:\ 目 \.4.SIM-CARD.SchDoc	Drawn By:



AUDIO

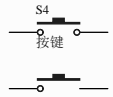
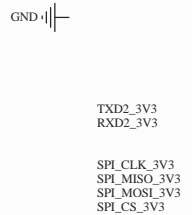
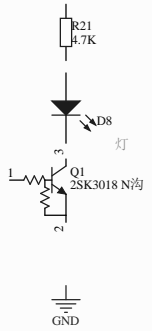
Title		
Size	Number	Revision
A4		
Date:	3-31-2023	Sheet of
File:	G:\目\5.AUDIO.SchDoc	Drawn By:



U8

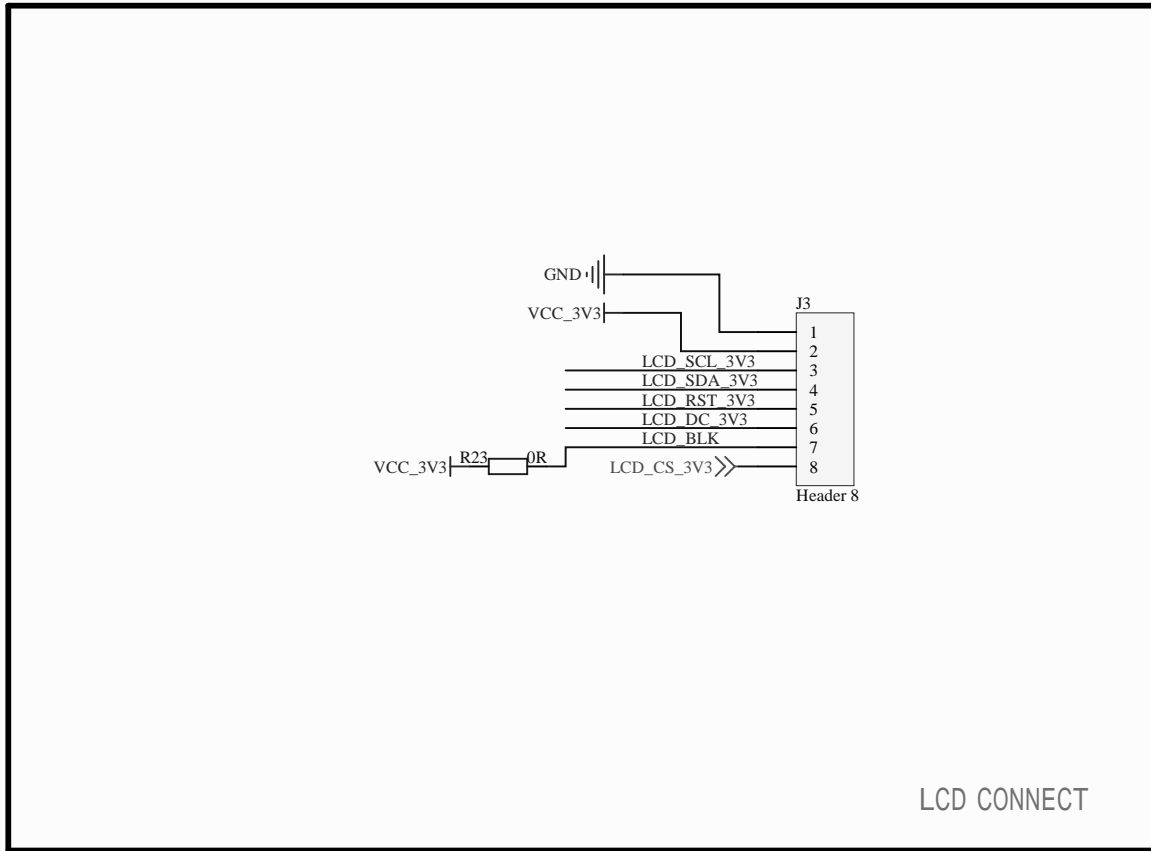
20	B1	A1	1	MAIN_RXD	<<MAIN_RXD	VDD_EXT
19	VCCB	VCCA	2		<<VDD_EXT	VDD_EXT
18	B2	A2	3	MAIN_TXD	<<MAIN_TXD	
17	B3	A3	4	SDA_1V8	<<SDA_1V8	
16	B4	A4	5	SCL_1V8	<<SCL_1V8	
15	B5	A5	6	SPI_CLK_1V8	<<SPI_CLK_1V8	
14	B6	A6	7	SPI_MISO_1V8	<<SPI_MISO_1V8	
13	B7	A7	8	SPI_MOSI_1V8	<<SPI_MOSI_1V8	
12	B8	A8	9	SPI_CS_1V8	<<SPI_CS_1V8	
11	GND	OE	10			R19 10K → VDD_EXT

TXS0108EPWR



GPIO

Title		
Size A3	Number	Revision
Date: 3-31-2023	Sheet of	
File: G:\...\6.GPIO+UART.SchDoc	Drawn By:	



LCD CONNECT

Title		
Size A4	Number	Revision
Date:	3-31-2023	Sheet of
File:	G:\ 目 \.7.LCM.SchDoc 项	Drawn By: